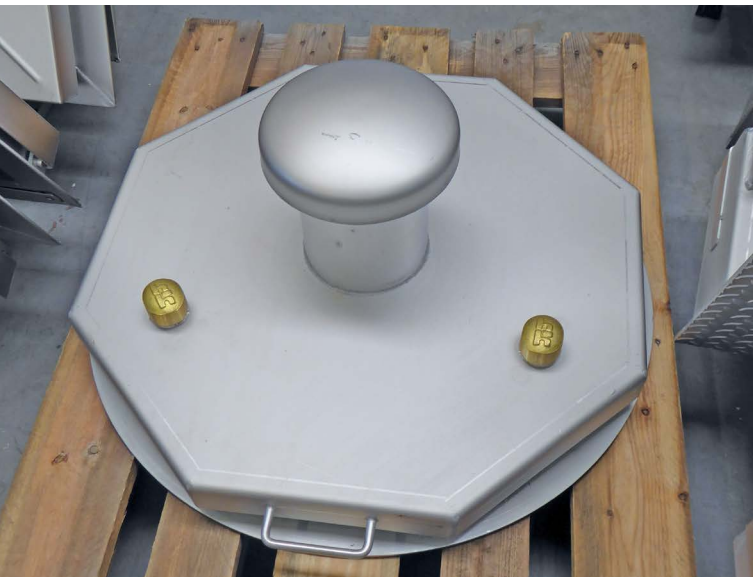


## Manhole cover SD4-RC3, attack-proof / security tested, weather-proof, round type



*The figure shown here may contain special accessories.*

**Manhole cover**, secure to prevent forced access, weatherproof, round in shape, made of 1.4307 (AISI 304 L) stainless steel.

Based on DIN 1239:2018-4, security tested to resistance class RC3 (DIN EN 1627). According to requirements of DVGW W 1050 - Object protection for water supply structures. Suitable for use in Ex zone 1.

**The cover** consisting of a 4 mm thick stainless steel plate with a centrally raised profile, with stable concealed hinges, stainless steel gas assisted spring dampers, integrated arrestor which can only be undone by hand, with handle, with a replaceable circumferential, insect-proof and totally weather-proof rubber seal (frost-proof and weather-resistant) attached to the underside of the cover for low wear, including lock system with anti-drilling protection, as standard with hardened safety locks as recommended by criminal investigation departments and in accordance with the normative standards; the profile cylinders in accordance with DIN 18252 to be provided by the customer.

A connection for potential equalisation is provided.

**The frame** consists of an angle section, designed for bolted fixing with clips inside the manhole as lift locks.

Manhole cover and frame shielded arc-welded, acid-treated in a pickling bath and passivated.

Operating key included.

### Options:

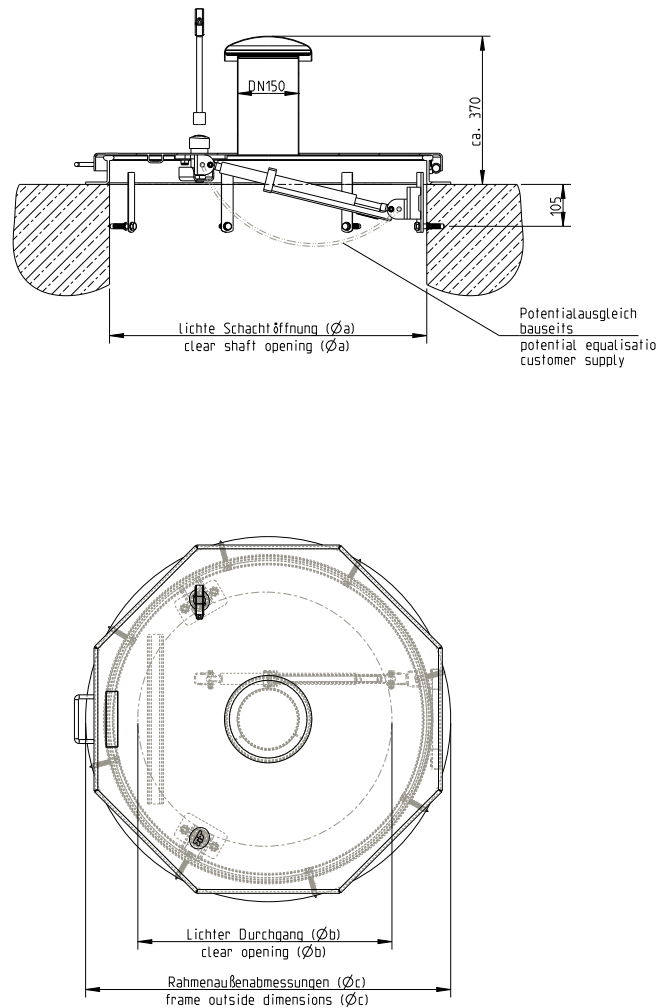
- ▶ 1.4404 (AISI 316 L) stainless steel
- ▶ Air vent DN 150, centrally welded
- ▶ Insulation of the cover, without FCKW
- ▶ Fixing material and foam rubber gasket 30/5
- ▶ Non-standard sizes
- ▶ Magnetic contact (cover open/shut indicator)
- ▶ Lacquer according to RAL colour chart
- ▶ Pollen filter or biofilter (for odour elimination) within the air vent
- ▶ Safety guard / antifall guard



Manhole cover SD4-RC3, attack-proof / security tested, weather-proof, round type

Subject to technical modification | Drawing no. 52310498, 11.2024

HUBER SE | Industriepark Erasbach A1 | D-92334 Berching | Telefon: + 49 8462 201-0 | info@huber.de | [www.huber.de](http://www.huber.de)



Model	Size $\varnothing a$	Order no.	Inside pass $\varnothing b$	Frame outside dimensions $\varnothing c$
Standard model	600	106/GRS-RC3 (1)	450	675
Standard model	800	108/GRS-RC3	620	875
Standard model	1000	101/GRS-RC3	820	1075
With air vent DN 150	600	106/GDRS-RC3 (1)	450	675
With air vent DN 150	800	108/GDRS-RC3	620	875
With air vent DN 150	1000	101/GDRS-RC3	820	1075
With insulation of cover, without FCKW	600	106/IRS-RC3 (1)	450	675
With insulation of cover, without FCKW	800	108/IRS-RC3	620	875
With insulation of cover, without FCKW	1000	101/IRS-RC3	820	1075
With air vent DN 150 and insulation of cover, without FCKW	600	106/IDRS-RC3 (1)	450	675
With air vent DN 150 and insulation of cover, without FCKW	800	108/IDRS-RC3	620	875
With air vent DN 150 and insulation of cover, without FCKW	1000	101/IDRS-RC3	820	1075

**Ask for further dimensions. All measurements in mm.**

(1) Note: According to German standards GUV-V C5 „Abwassertechnische Anlagen“ and DVGW Arbeitsblatt W122 „Abschlußbauwerke für Brunnen der Wassergewinnung“, the minimum clear width of entrance openings must be 0.8 m.



Manhole cover SD4-RC3, attack-proof / security tested, weather-proof, round type

Subject to technical modification | Drawing no. 52310498, 11.2024

HUBER SE | Industriepark Erasbach A1 | D-92334 Berching | Telefon: +49 8462 201-0 | info@huber.de | [www.huber.de](http://www.huber.de)